

6,300 GALLON (150BBL)

Poly Cube

Ironclad Environmental Solutions offers the best freestanding poly tank rentals in the US. Our Poly Tanks are designed with high density cross-linked polyethylene for superior durability. Capable of holding up to 6,300 gallons, they are ideal for storing water, chemicals, and caustic or acidic materials.



*Photos are representational; actual products vary. Additional product plans and specifications may vary from those shown and are subject to in-stock availability.

Dimensions and Weights

Length: 20' 9 3/4"

Width: 8' 6"

Height: 8' 1 1/2"

Capacity: 6,300 gallons (150bbl)

Tare Weight: 25,050 lbs

Construction

Material: High-density cross-linked PE tank (black)

Frame: Roll off understructure with 6x2x1/4 tube skid rail, C10 x 15.3 side channels, and 12 x 6 forklift pockets

Features

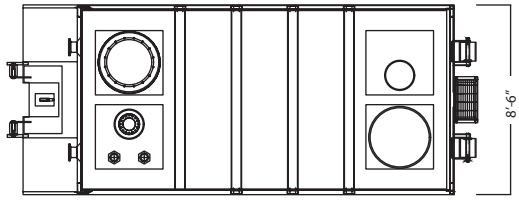
Access: Front stair rear ladder

Cage: 6x2x1/4 tube framing, 11GA crash plate all around

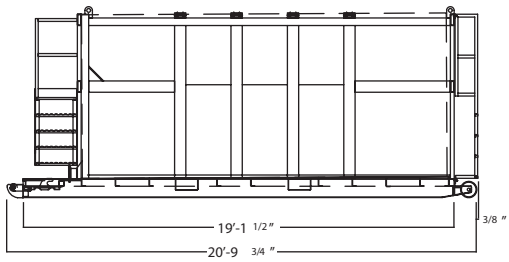
Extras: Fume tight lid with white PE gasket, 4" PVC valve with T-handle, Viton

POLY TANK

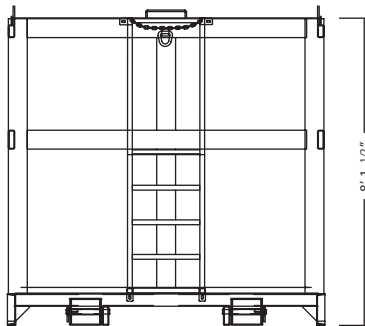
Poly Tank Drawing



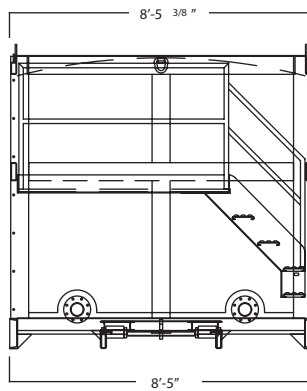
Top View



Side View



Front View



Rear View

*Some details not shown in all views. Overall dimensions are normal.

*Photos are representational; actual products vary. Additional product plans and specifications may vary from those shown and are subject to in-stock availability.