

5,050 GALLON

Upright Poly Tank

Made from cross-linked polyethylene for durability and safety, this 5,050 Gallon Upright Poly Tank can be used in many different applications for temporary liquid storage of chemicals, water, and other fluids. The tank is portable, lightweight and ideal for use in manufacturing, power plant projects, construction, environmental, and industrial applications where space is limited.



*Photos are representational; actual products vary. Additional product plans and specifications may vary from those shown and are subject to in-stock availability.

Dimensions and Weights

- Capacity: 5,050 gallons
- Overall Width: 87"
- Overall Height: 15'11¼"
- Combined Tank & Pad Weight: 2,515 lbs
- Tank Weight: 2,200 lbs.
- Pad Weight: 315 lbs.
- Ladder Weight: 150 lbs.

Construction

- Material: High-density cross-linked polyethylene
- One-piece seamless molded construction
- IMFO Pad – Integrally Molded Flanged Outlet with 2" plug
- Six (6) Molded-in lifting lugs (top of tank)
- 22" Manway (top of tank)
- 4" Spare UBD fitting (top of tank)
- 8" PVC domed vent (top of tank)
- Two (2) 4" PVC Threaded drain valves (bottom of tank)
- Molded-in gallonage markers in 200-gallon increments


Features

- Maximum Temperature: 100° F
- Maximum Specific Gravity: 1.90
- Certification: ASTM D1998 (NOT UL LISTED)
- Six (6) Molded-in lifting lugs (top of tank)
- High-visibility 13' aluminum with platform OSHA yellow ladder
- Strapping chart

Accessories

- Valves: Two (2) 4" butterfly valves w/FLG THRD PVC/SS/EDPM SS Ring
- Manway: Top mounted 22" opening (24" diameter screw-on cover)
- Top Vent: 8" mushroom vent assembly
- Top Spare: 4" UBD FTG flange style PVC/C-276/EDPM plug 4" pipe thread PVC 80

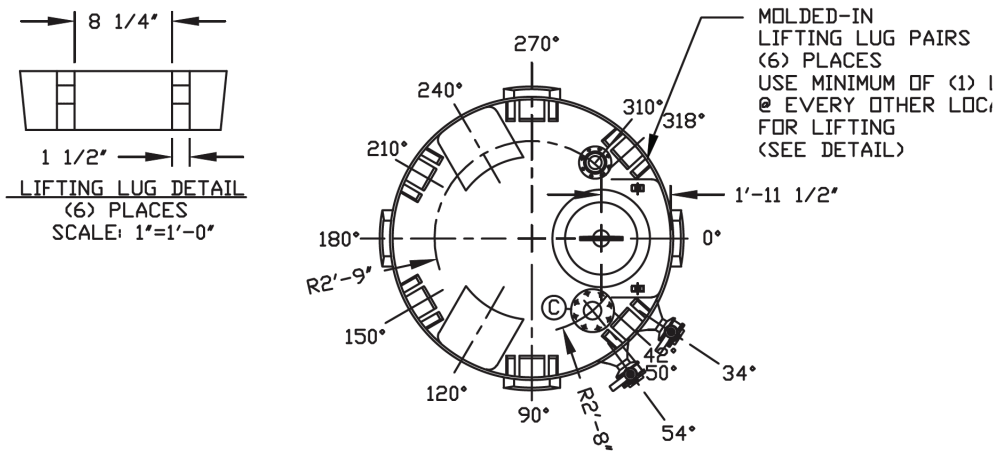


 We proudly provide specialty-containment and waste-management solutions, with industry-leading service, safety, access and integrity.

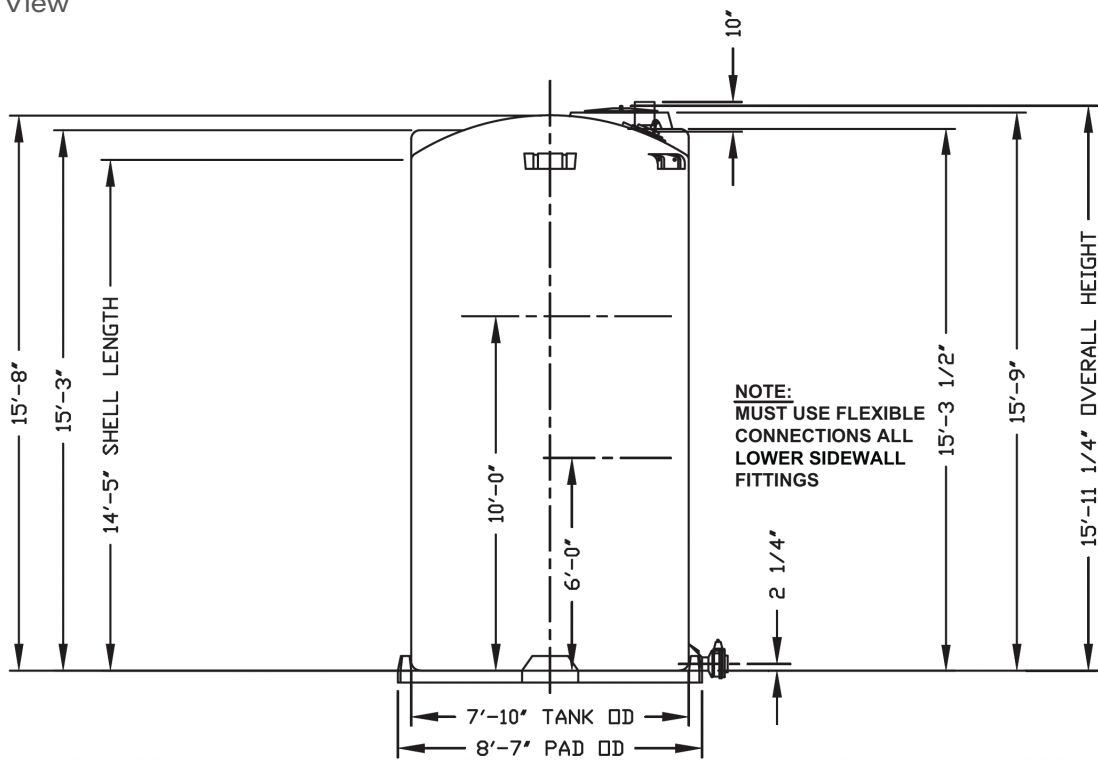
Learn more at IroncladEnvironmental.com

POLY TANK

5,050 Gallon Upright Poly Tank



Top View



Side View

*Some details not shown in all views. Overall dimensions are normal.

*Photos are representational; actual products vary. Additional product plans and specifications may vary from those shown and are subject to in-stock availability.

Learn more at IroncladEnvironmental.com

