

EZ-FLIP Hard Top

Low Profile Bin

Topped with an EZ-Flip hard top plastic roof to protect contents from unwanted debris, precipitation or visibility, the Low Profile Bin with hard top roof is designed with features to facilitate clean, leak-proof content disposal and to ease delivery and installation via standard roll-off frame truck. These bins are ideal containment solutions for a wide variety of project applications.



*Photos are representational; actual products vary. Additional product plans and specifications may vary from those shown and are subject to in-stock availability.

Dimensions and Weights

Capacity: 8.21 cubic yards
Height: 4' 2"
Width: 8' 4"
Length: 17' 3"
Tare Weight: 4,600 lbs
All sizes are approximate

Construction

Bare steel interior
6 ratchet straps to secure roof to container
One (1) rear 3" valved fill/drain port
Vacuum relief vents to keep vapors and odors in
Hinged doors for easy cleaning

Features

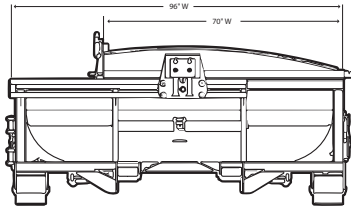
Safe operation reminder decals
Vacuum relief vents



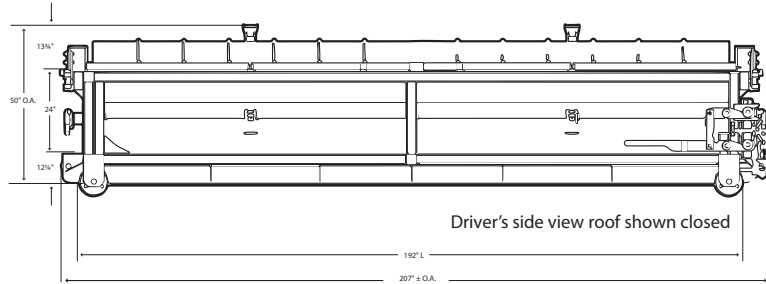
We proudly provide specialty-containment and waste-management solutions, with industry-leading service, safety, access and integrity.

Learn more at [IroncladEnvironmental.com](https://www.ironcladenvironmental.com)

Low Profile Bin with EZ Flip Hard Top

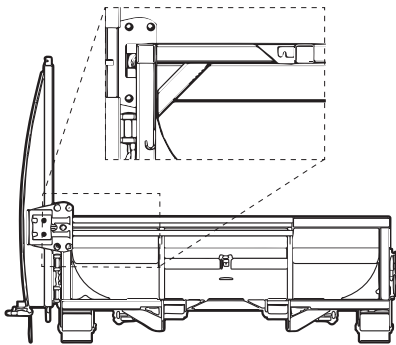


Roof shown front closed

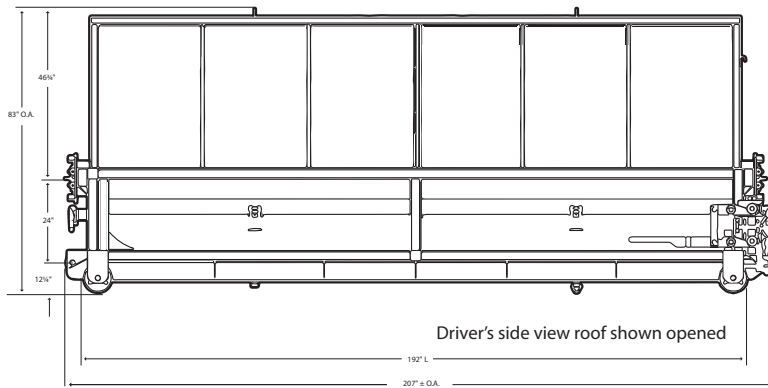


Driver's side view roof shown closed

Front and Driver's Side View Roof Closed



Roof shown front opened



Driver's side view roof shown opened

Front and Driver's Side View Roof Open

*Some details not shown in all views. Overall dimensions are normal.

*Photos are representational; actual products vary. Additional product plans and specifications may vary from those shown and are subject to in-stock availability.

Learn more at IroncladEnvironmental.com