

17,934 GALLON (427BBL)

Steel Frac Tank With Weir

Steel weir tanks are perfect for any application that requires a reduction in turbidity through the use of settling and decanting. When you need primary settling of suspended solids in liquid streams prior to filtration or discharge, Ironclad Environmental Solutions has you covered.



Dimensions and Weights

Length: 42'

Width: 8' 6"

Height: 9' 8"

Capacity: 17,934 gallons (427bbl)

Tare Weight: 15,000 lbs

Axle: 5" track, 22,500 lbs capacity

Construction

Floor: ¼" Steel Plate Tank Construction

Walls: ¼" Steel Plate Tank Construction

Features

V-Bottom Floor for Better Drainage

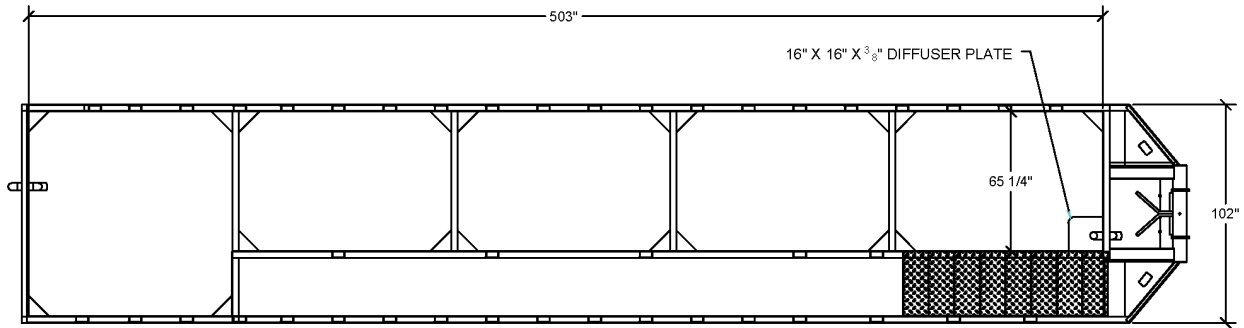
Heavy-Duty Nosebar Assembly

Valves: One 4" Butterfly Valve Drain w/
Remote Handle (Front and Rear) Two 4"
Flange and Butterfly Valves (Front)

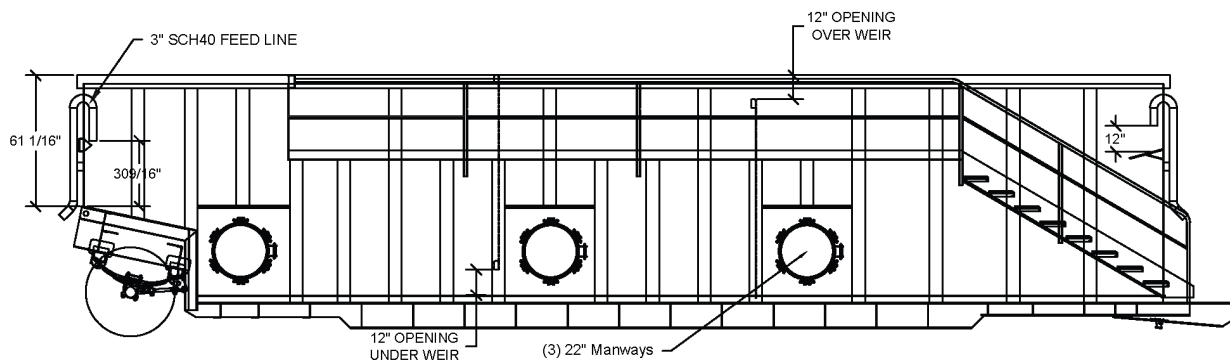
Manways: Six 21" Manways (Sides)

STEEL FRAC TANK

Tank With Weir Drawing

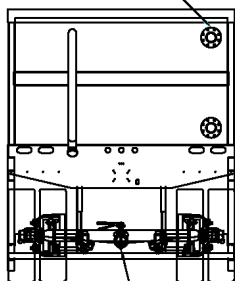


Top View



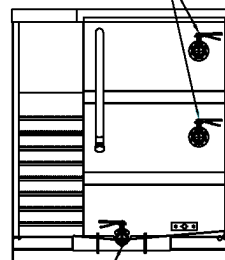
Side View

4" WELD NECK FLANGE WITH 4" BLANK FLANGE



4" butterfly drain valve w/remote handle

4" FLANGE & BUTTERFLY VALVE



4" DRAIN W/ BUTTERFLY VALVE

Rear View

Front View

*Some details not shown in all views. Overall dimensions are normal.

*Photos are representational; actual products vary. Additional product plans and specifications may vary from those shown and are subject to in-stock availability.

Learn more at IroncladEnvironmental.com